

CE-D09 Spare parts list



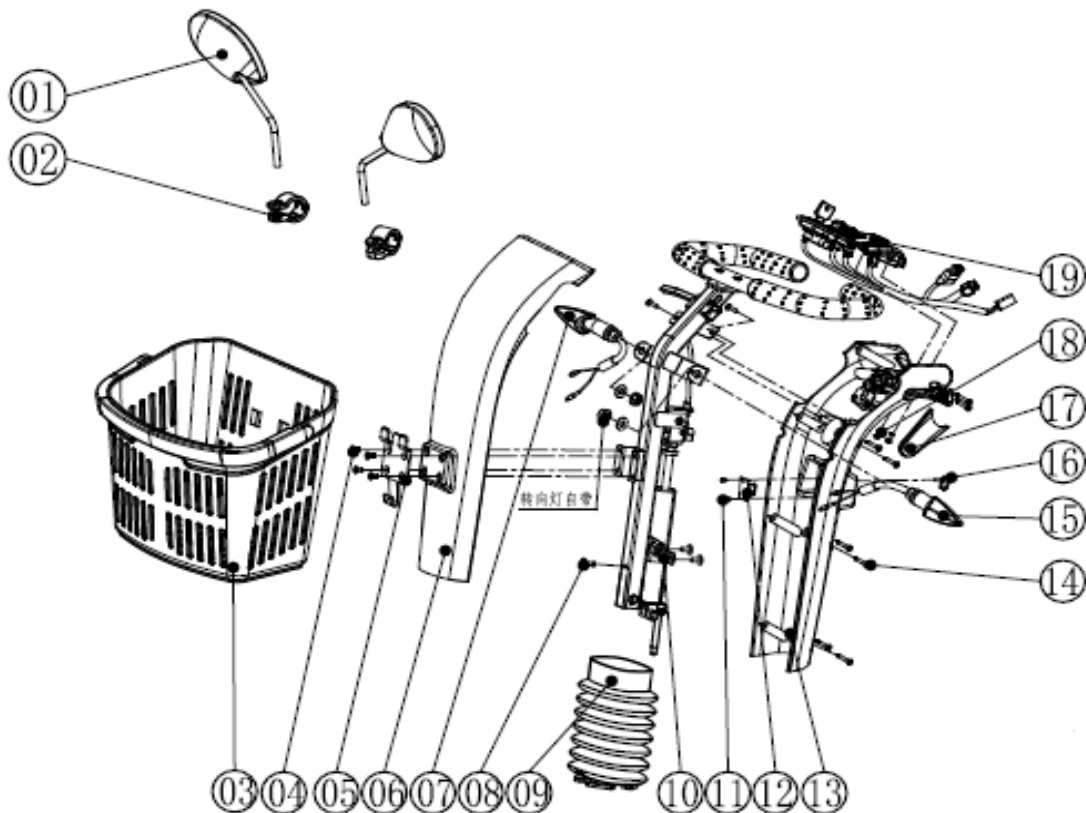
Identification number: TCF-VOMNL -0380-19A

Product group: Mobility Scooter

Productname: Senzo 4-wheel

Batchnumber:

Tiller



Drawing No.	Item No.	Description	Purchase Price
1	06030100	Rear mirror set, Left & Right	€ 15,26
2	SE07E505AK0	Mounting brackets for mirror	€ 2,25
3	SE08E508AK0	Foldable basket	€ 49,53
4	-	Not available as spare part	€ -
5	SB03P119HG0	Mounting bracket for front basket	€ 4,37
6	SF04P505A06	Tiller front cover Champagne	€ 61,21
	SF04P505A15	Tiller front cover Burgundy Red	€ 61,21
	SF04P505A16	Tiller front cover Old Blue	€ 61,21
	SF04P505A03	Tiller front cover New Blue	€ 61,21
7	305300003Y	Turning light Right	€ 63,57
8	-	Not available as spare part	€ -
9	SE06P512E3A	Rubber cover tiller	€ 16,48
10 & 11	-	Not available as spare part	€ -
12	SK05F620AK4	USB port	€ 18,00
13-1	SE06A502C3A	Tiller rear cover	€ 14,13
13-2	SE06F601AK0	Horn assembly	€ 15,00
13-3	SE06F602AK0	Charging port	€ 18,00
13-4	SE06F603AK0	Speed controll with potentiometer	€ 91,82
14	-	Not available as spare part	€ -
15	305300004Y	Turning light Left	€ 63,57

CE-D09 Spare parts list



Identification number: TCF-VOMNL -0380-19A
 Product group: Mobility Scooter
 Productname: Senzo 4-wheel
 Batchnumber:

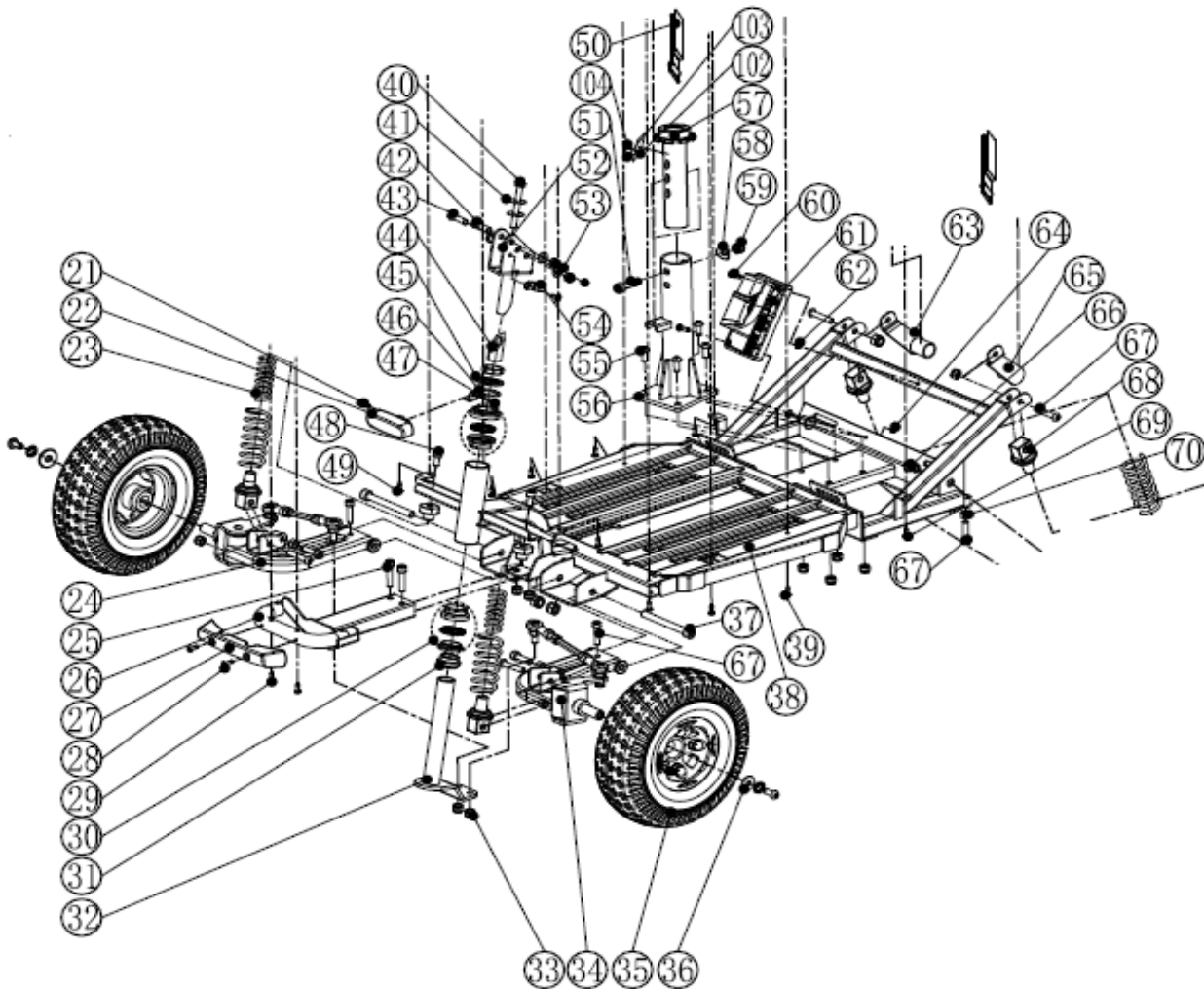
16 t0 18	-	Not available as spare part	€	-
19	SE08F602AK0	Dashboard assembly	€	212,29
19-1	SE06F606AK0	Key switch	€	30,61
19-2	SE06F605AK0	Battery meter	€	38,20
19-3	SE06P511AN1	Speed knob	€	2,35
19-4	3050105430	Speed potentiometer	€	25,90
19-5	305310031B	Turning light switch	€	9,00
19-6	SJ04H601AN9	Dashboard PCB	€	54,25

CE-D09 Spare parts list



Identification number: TCF-VOMNL -0380-19A
 Product group: Mobility Scooter
 Productname: Senzo 4-wheel
 Batchnumber:

Front



Drawing No.	Item No.	Description	Purchase Price
21	-	Not available as spare part	€ -
22	SG06F619AK0	Headlight	€ 18,84
23	SJ07P145B1G	Front spring (inside)	€ 9,42
24 to 26	-	Not available as spare part	€ -
27	SF01P503A3A	Front bumper cover	€ 6,00
28	-	Not available as spare part	€ -
29	-	Not available as spare part	€ -
30 to 31	3090432080	Bearing set	€ 11,77
32	SL01A214AG0	Bearing house	€ 14,13

CE-D09 Spare parts list



Identification number: TCF-VOMNL -0380-19A
 Product group: Mobility Scooter
 Productname: Senzo 4-wheel
 Batchnumber:

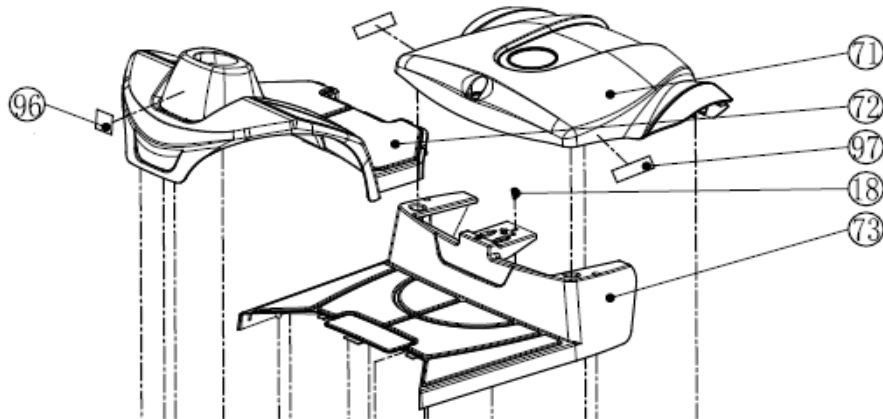
33 to 34	-	Not available as spare part	€	-
35	SK05E202AK0	Front wheel Air 10"	€	162,45
35-1	SK09P214AB4	Outer tire for 10"	€	58,86
35-2	SK09P213AB4	Inner tube for 10"	€	21,19
36 to 56	-	Not available as spare part	€	-
57	SE01E402EK0	Seat post	€	26,00
58 to 60	-	Not available as spare part	€	-
61	3051600100	Controller (Dynamic R-90A)	€	263,69
62 to 70; 102 to 104	-	Not available as spare part	€	-

CE-D09 Spare parts list



Identification number: TCF-VOMNL -0380-19A
 Product group: Mobility Scooter
 Productname: Senzo 4-wheel
 Batchnumber:

Shrouds



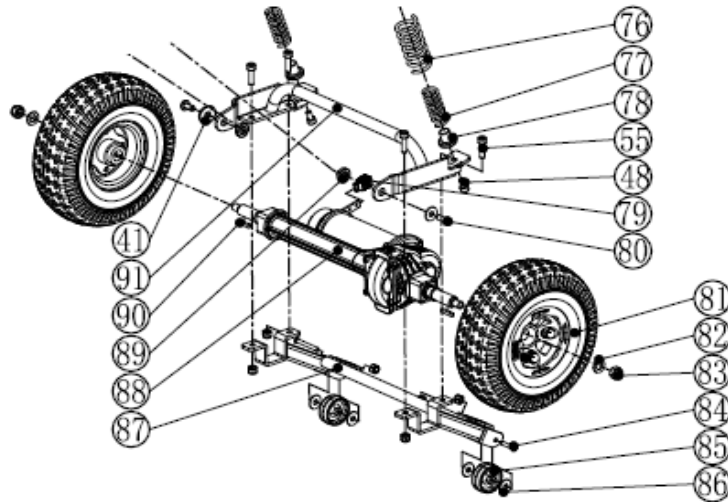
Drawing No.	Item No.	Description	Purchase Price
71-1	SG06P505B06	Battery top cover Champagne	€ 174,23
	SG06P505B15	Battery top cover Burgundy Red	€ 174,23
	SG06P505B16	Battery top cover Old Blue	€ 174,23
	SG06P505B03	Battery top cover New Blue	€ 174,23
71-2 + 71-3	SG06P820A2J	Rear reflector set (Left/Right)	€ 6,00
71-4	SL01F615AK0	Taillight assembly with turning light	€ 72,99
72-1	SG06P522A06	Front shroud cover Champagne	€ 32,96
	SG06P522A15	Front shroud cover Burgundy Red	€ 32,96
	SG06P522A16	Front shroud cover Old Blue	€ 32,96
	SG06P522A03	Front shroud cover New Blue	€ 32,96
72-2	SG06P503B3A	Front shroud Black	€ 47,09
73-1	SG06P525A3A	Footplate Black	€ 32,96
73-2	SG06F613AK0	Circuit breaker with wire	€ 58,86
	WS11E003AK1	Comfort seat with adjustable back and lumbar support	€ 293,66

CE-D09 Spare parts list



Identification number: TCF-VOMNL -0380-19A
 Product group: Mobility Scooter
 Productname: Senzo 4-wheel
 Batchnumber:

Back



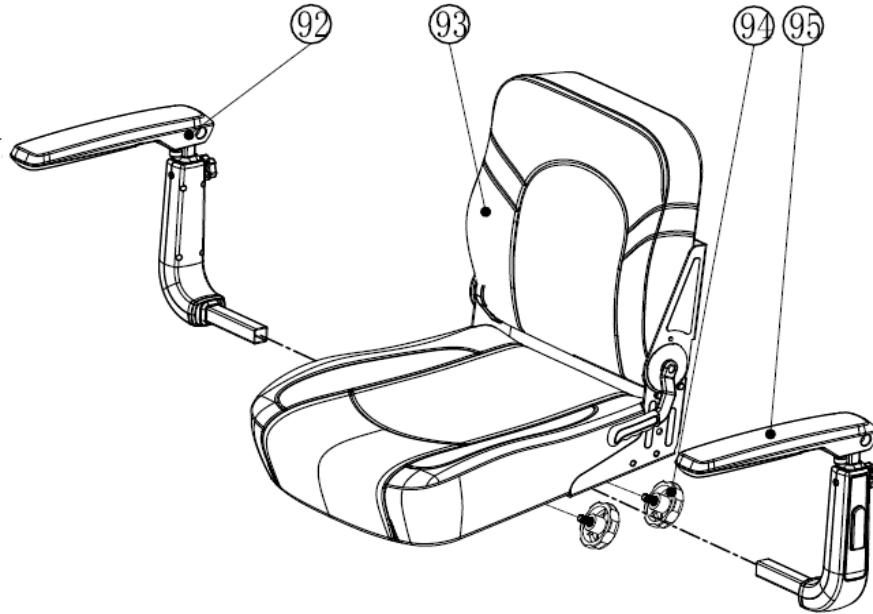
Drawing No.	Item No.	Description	Purchase Price
76	SJ07P144B1G	Front and rear spring (Outside)	€ 14,13
77	SG06P145A1G	Rear spring (Inside)	€ 7,06
79	WE03P510B4B	Brake handle cover (Yellow)	€ 2,35
81	SK05E203AK0	Rear wheel Air,10"	€ 160,10
81-1	SK09P214AB4	Outer tire for 10"	€ 58,86
81-2	SK09P213AB4	Inner tube for 10"	€ 21,19
85	SE06P561A3A	Anti-tip wheel(2")	€ 24,41
88	RA05E103AK1	Transaxle assembly with motor and brake	€ 897,03
88-1	RA05A102BK0	Transaxle only (19.75:1)	€ 466,17
88-2	RA05A314A00	Motor only (CR-5290D24-A:600W)	€ 268,89
88-3	RA05A304CK0	Brake only (6NM)	€ 121,31

CE-D09 Spare parts list



Identification number: TCF-VOMNL -0380-19A
 Product group: Mobility Scooter
 Productname: Senzo 4-wheel
 Batchnumber:

Seat



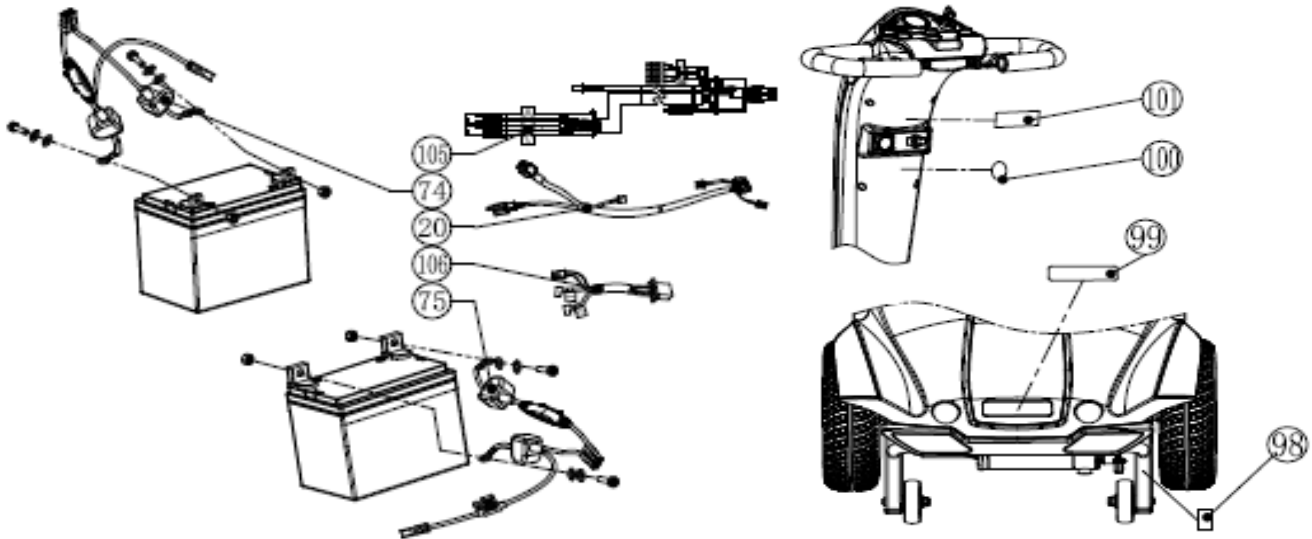
Drawing No.	Item No.	Description	Purchase Price
92	SE06E413DK0	Arm assembly(R)	€ 101,42
93-1	WS11E105AK1	Seat assembly only	€ 409,84
93-1-1	WS34E201EK0	Hinge(L),angle-adjustable with handle	€ 113,36
93-1-2	WS33E202FK0	Hinge(R)	€ 50,00
93-2	SE01E403KK0	Seat swivel plate assembly	€ 146,64
94	N/A	Not available as spare part	€ -
95	SE06E414DK0	Arm assembly(L)	€ 101,42
95-1	WG01A418BA1	Arm pad(L/R)	€ 43,81

CE-D09 Spare parts list



Identification number: TCF-VOMNL -0380-19A
 Product group: Mobility Scooter
 Productname: Senzo 4-wheel
 Batchnumber:

Accessoires



Drawing No.	Item No.	Description	Purchase Price
20	SK05F617AK0	Main harness assembly	€ 72,99
74	SE06F617AK0	Battery cable I	€ 47,09
75	SE06F618AK0	Battery cable II	€ 47,09
105	SG06F617AK0	Harness assembly for turning lights	€ 30,61
106	SL01F613AK0	Motor adapter wire assembly	€ 14,13
	93810600	Battery 34Ah/12V, closed, maintenance free, AGM	€ 195,06
	93810355	Battery charger 24V/5Ah	€ 63,10
	90100030	Crutch holder de-luxe	€ 80,20
	3051500080	Motor brush (CR-5290D24-A:600W)	€ 12,00